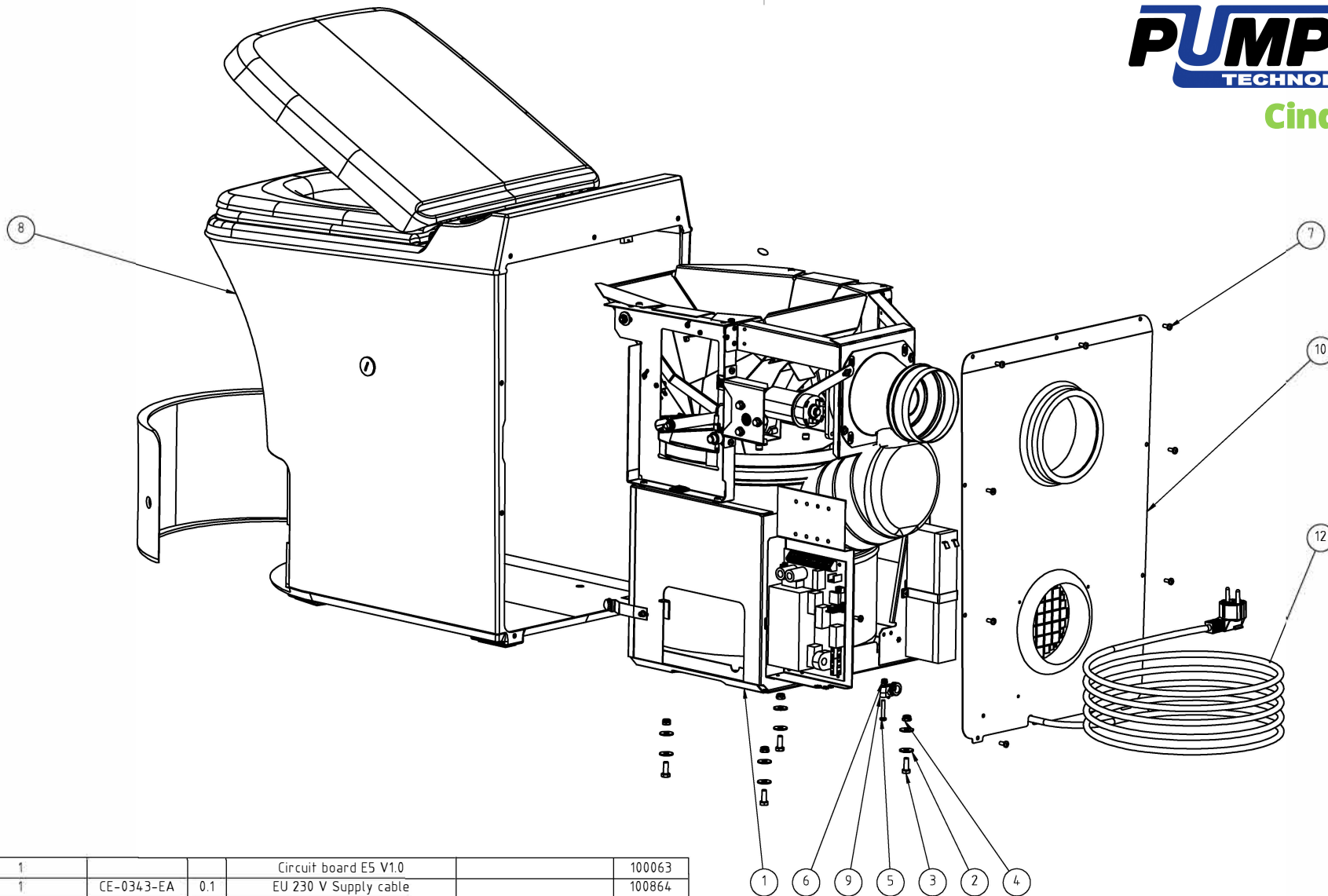


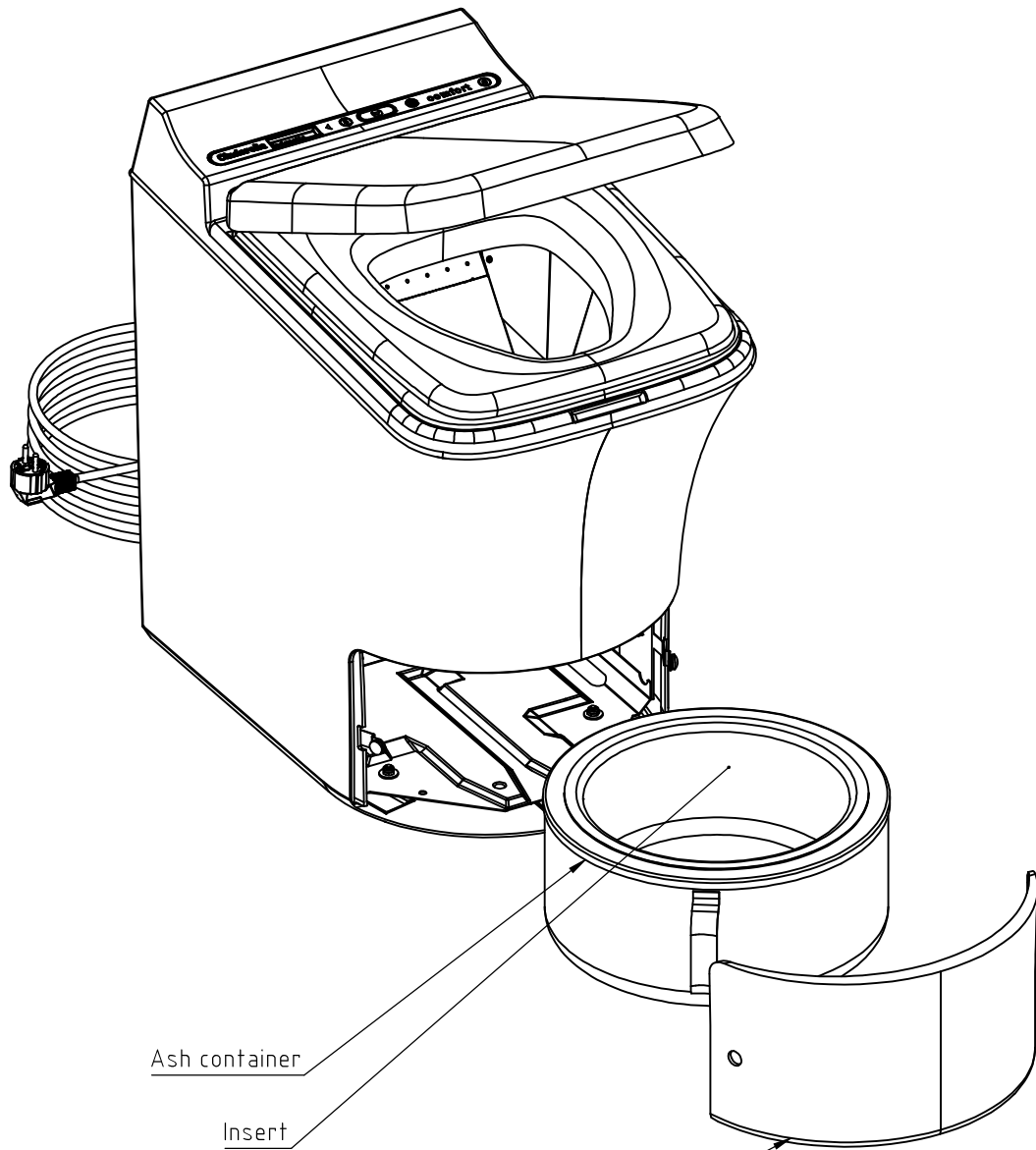
**Cinderella Comfort**



13	1			Circuit board E5 V1.0		100063
12	1	CE-0343-EA	0.1	EU 230 V Supply cable		100864
11	1	CE-0487-MA	0.1	Lid / seat assembly w/ gasket		100795
10	1	CE-0442-MA	0.1	Rear cover assembly Comfort		101401
9	1			Strain relief	PA Type 6	100068
8	1	CE-0360-MA	0.1	Comfort shell assembly		100786
7	9	ISO 14583 M4x10		Torx socket pan head screws M4x10	A4-70	100309
6	1	ISO 10511 M4		Lock nut M4	A4-70	100138
5	1			Torx socket pan head screws M4x25	Acier	100310
4	4	ISO 10511 M6		Locknut M6	A4	100140
3	4			Screw ISO 4.017 M6x16	A4	100135
2	8	ISO 7093 M6		Large Washer M6	A4	100148
1	1	CE-0425-MA	0.1	Insert classic/comfort		101403
Pos. no.	Default/QTY.	Drawing No.	Rev.	Description	Material	Item No

Pump Technology Ltd. UK Authorised Distributor for Cinderella  
0118 9821 555 [www.cinderellauk.com](http://www.cinderellauk.com)

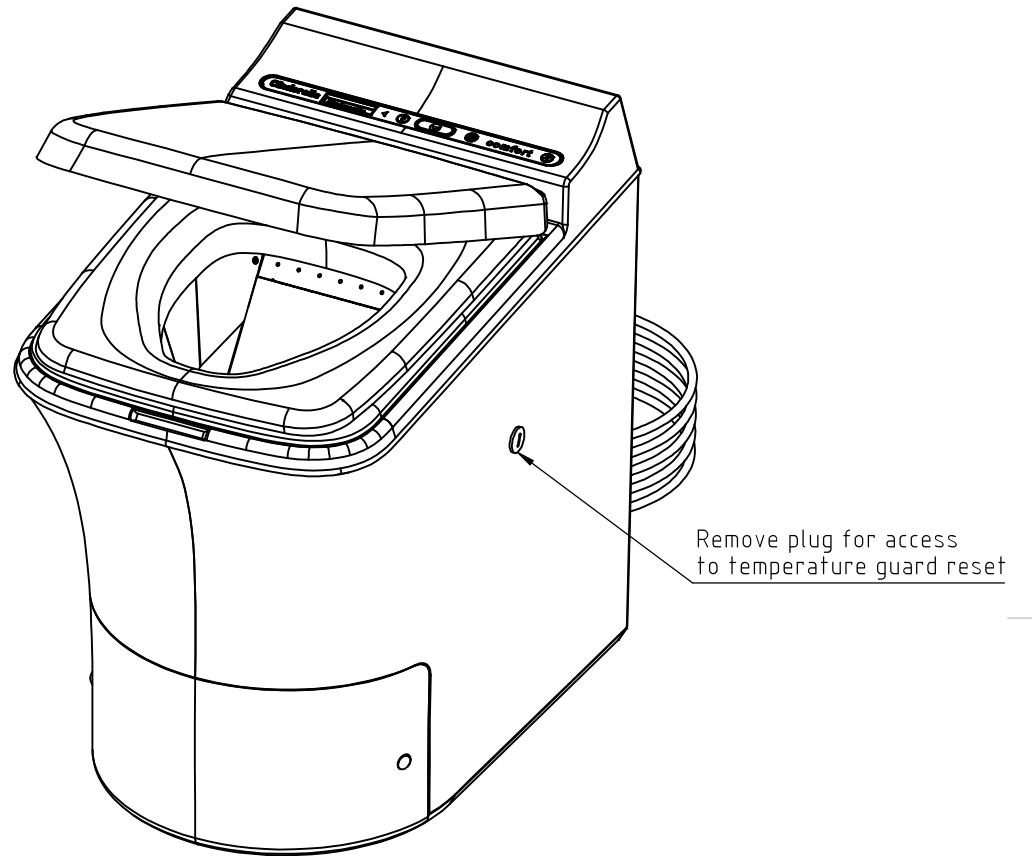
Rev.	Changed date	Ch. by	Approved date	Approved by	Change description
Material	Replacement for				
Created by	Date of issue	Status	Tolerance		
OS	2019.06.18	Draft			
Appr. by	Mass [g]	Sheet size	Projection	Scale	
33	A2	1:4			
Title					Sheet
Cinderella Comfort w/Display					1/5
					Rev
					0.1
					Item No
					101407
Drawing number					
CE-0424-MA					



Ash container

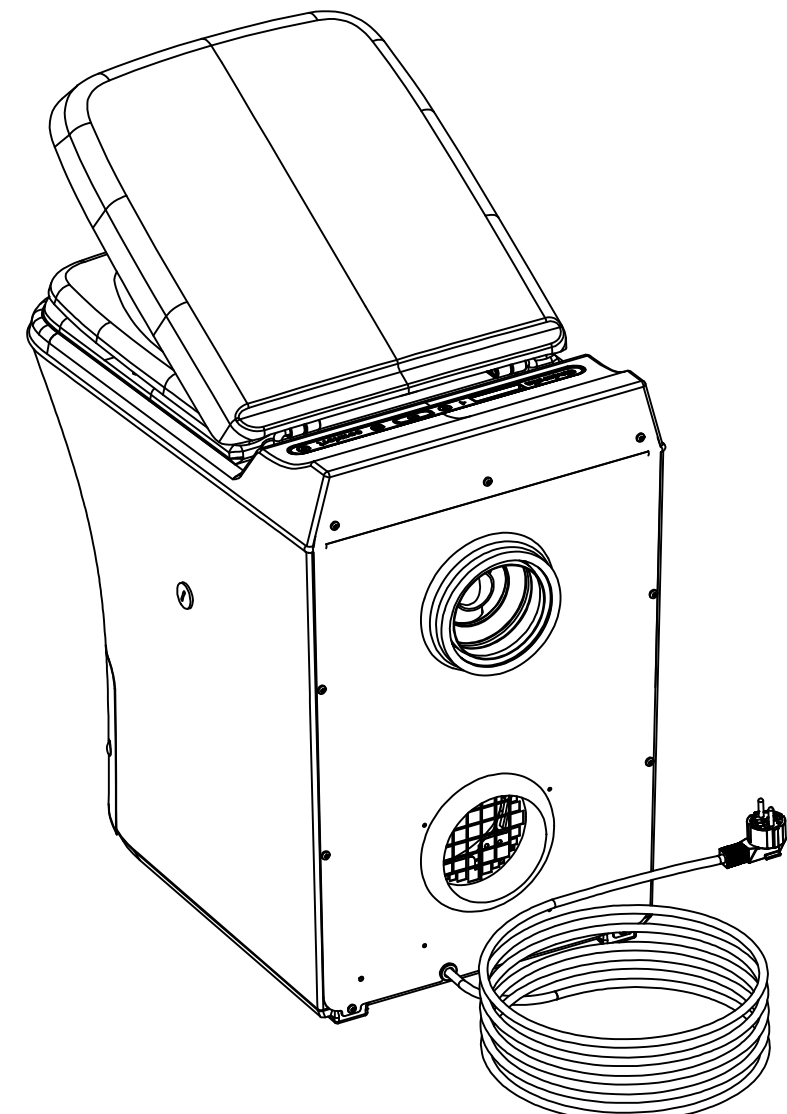
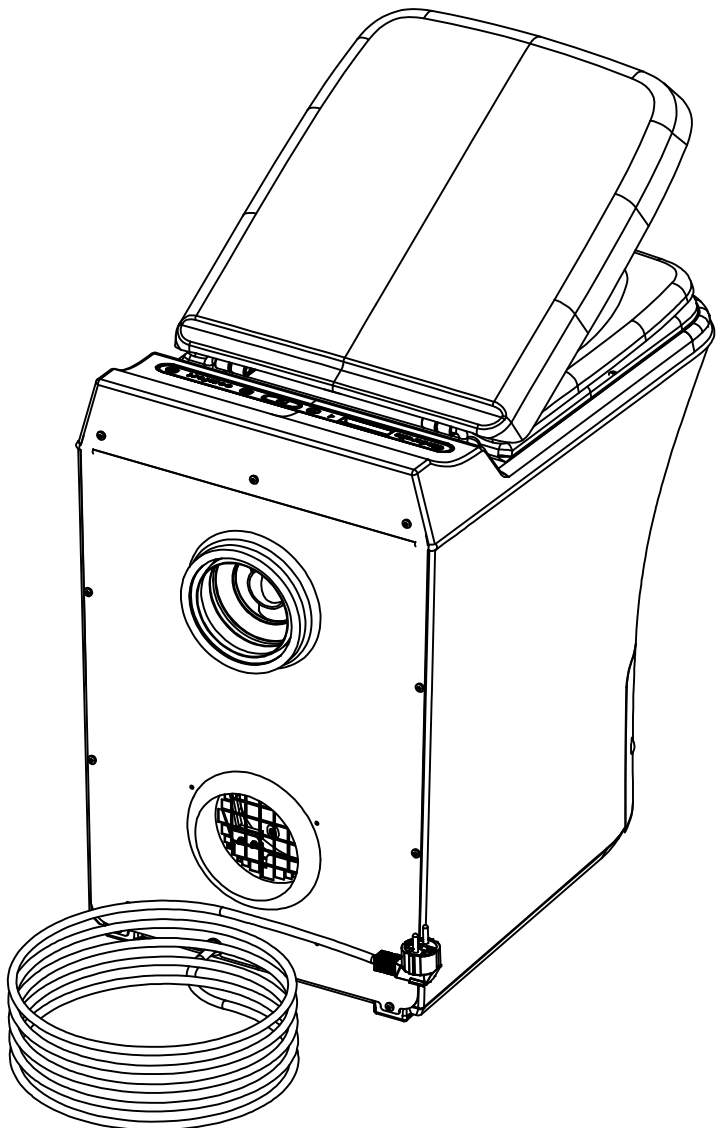
Insert

Cover for ash container

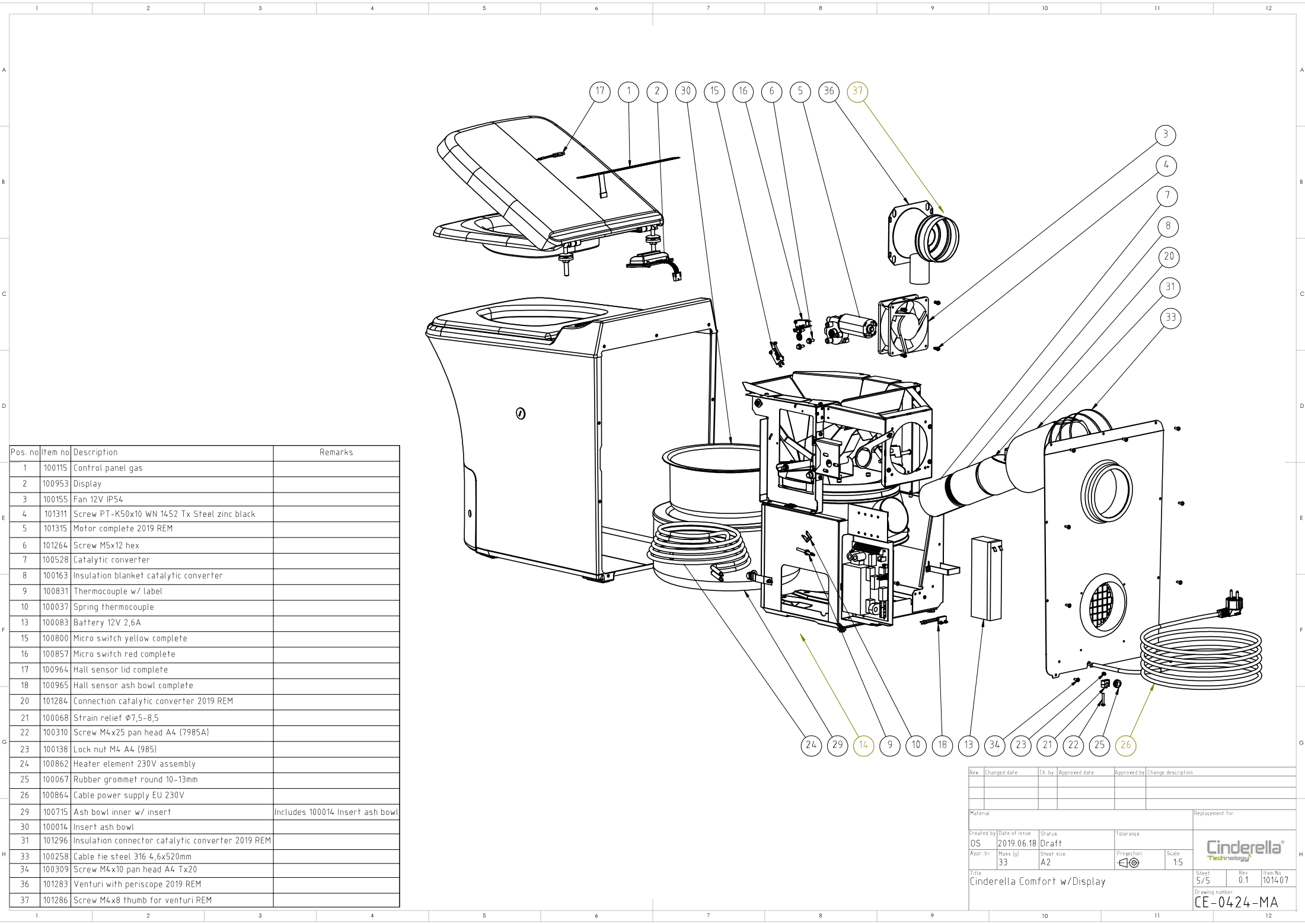


Remove plug for access to temperature guard reset

Rev.	Changed date	Ch. by	Approved date	Approved by	Change description
Material					Replacement for
Created by	Date of issue	Status	Tolerance		
OS	2019.06.18	Draft			
Appr. by	Mass (g)	Sheet size	Projection	Scale	
	33	A3		1:5	
Title					Sheet
Cinderella Comfort w/Display					3/5
					Rev
					0.1
					Item No
					101407
					Drawing number
					CE-0424-MA



Rev.	Changed date	Ch. by	Approved date	Approved by	Change description
Material					Replacement for
Created by	Date of issue	Status	Tolerance		
OS	2019.06.18	Draft			
Appr. by	Mass (g)	Sheet size	Projection	Scale	
	33	A3		1:5	
Title					Sheet
Cinderella Comfort w/Display					4/5
					Rev
					0.1
					Item No
					101407
					Drawing number
					CE-0424-MA



Pos. no	Item no	Description	Remarks
1	100115	Control panel gas	
2	100953	Display	
	100155	Fan 12V IP54	
4	101311	Screw PT-K50x10 WN 1452 Tx Steel zinc black	
5	101315	Motor complete 2019 REM	
6	101264	Screw M5x12 hex	
7	100528	Catalytic converter	
8	100163	Insulation blanket catalytic converter	
9	100831	Thermocouple w/ label	
10	100037	Spring thermocouple	
13	100083	Battery 12V 2,6A	
15	100800	Micro switch yellow complete	
16	100857	Micro switch red complete	
17	100964	Hall sensor lid complete	
18	100965	Hall sensor ash bowl complete	
20	101284	Connection catalytic converter 2019 REM	
21	100068	Strain relief Ø7,5-8,5	
22	100310	Screw M4x25 pan head A4 (7985A)	
23	100138	Lock nut M4 A4 (985)	
24	100862	Heater element 230V assembly	
25	100067	Rubber grommet round 10-13mm	
26	100864	Cable power supply EU 230V	
29	100715	Ash bowl inner w/ insert	Includes 100014 Insert ash bowl
30	100014	Insert ash bowl	
31	101296	Insulation connector catalytic converter 2019 REM	
33	100258	Cable tie steel 316 4,6x520mm	
34	100309	Screw M4x10 pan head A4 Tx20	
36	101283	Venturi with periscope 2019 REM	
37	101286	Screw M4x8 thumb for venturi REM	

Rev	Changed date	Ch. by	Approved date	Approved by	Change description

Material				Replacement for	
Created by	Date of issue	Status	Tolerance		
OS	2019.06.18	Draft			
Appr. by	Mass (g)	Sheet size	Projection	Scale	
33		A2	1	1:5	
Title					
Cinderella Comfort w/Display					
Sheet				Rev	Item No
5/5				0.1	1014.07
Drawing number					
CE-0424-MA					